

Part number

MAOR 06 L32



Brief description:

hoods for single lever, size "44.27" 180°C version, side entry, M32, 180 °C version, IP65

Product description

Version	180 °C version
Series	hoods for single lever
Product type	with 2 pegs
Variant	side entry
Style	high construction
Family	CLASS enclosures
Size	size "44.27" 180°C version


Technical data

Operating temperature range (min, max)	-40°C ... +180°C
Material	metal
IP degree of protection	IP65
Cable entry	M32

Further technical details

Weight	165,00 g
--------	----------

Approvals / Standards

Quality mark	 (type:4/4X/12),  , EAC
Conformity	CQC, CE

General ordering information

EAN13 code	8015747050791
Tariff number	85369095

Packaging Information

Sub-packaging weight	0,83 kg
Sub-packaging description	Plastic packaging
Sub-packaging quantity	5 Pcs
Sub-packaging EAN barcode	8015747098267

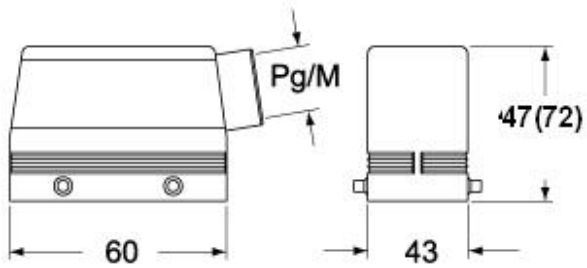
Part number

MAOR 06 L32

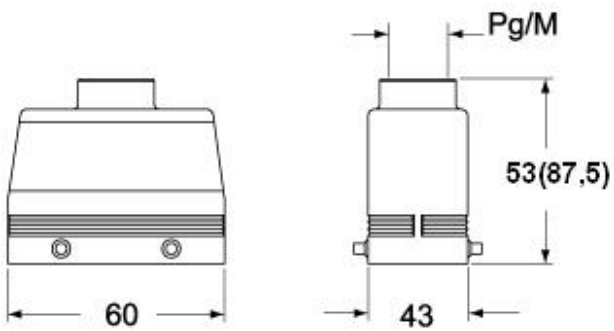


Catalogue drawings

CHOW (CAOW) - MHOW (MAOW)



CAVW - MAVW



CZCR LG

